

# Airpura

AIR PURIFIERS

# UV600

Microorganisms

## **3 Levels of Protection from Airborne Chemicals, Particles and Micro-organisms**

### **The UV600 offers complete air filtration**

Effective against bacteria, antigens, pathogens and mold spores as well as airborne chemicals and particles

**The UV germicidal lamp sterilizes bacteria, viruses and mold spores** by destroying the DNA of the micro-organisms as they are trapped on the filters

### **18lbs of Activated carbon adsorbs harmful airborne chemicals and odors**

True HEPA filter traps 99.97% of particles as small as 0.3 microns

### **Effective for up to 2000 square feet**

Changes the air approximately every 30 minutes

### **Excellent choice for:**

- Basements
- Mold infestations
- People with low immune resistance
- Isolation rooms
- Clinics
- Doctors offices
- Dental offices
- Hospital rooms
- Embalming facilities



### **The Airpura UV600**

Colors: White / Black / Cream

The Airpura Limited Warranty  
5 years parts 10 years labor

### **Long Lasting Filters**

Carbon filters typically last up to 2 years depending on use

Hepa filters typically last 5 years in regular use.

Pre-filters can be vacuumed from the exterior of the unit and should be changed every 12 months depending on use

UV Germicidal lamps will be effective for up to 10,000 hours

**Protect yourself with Airpura's Safe Efficient Filtration**

# Airpura AIR PURIFIERS

## UV600 Microorganisms

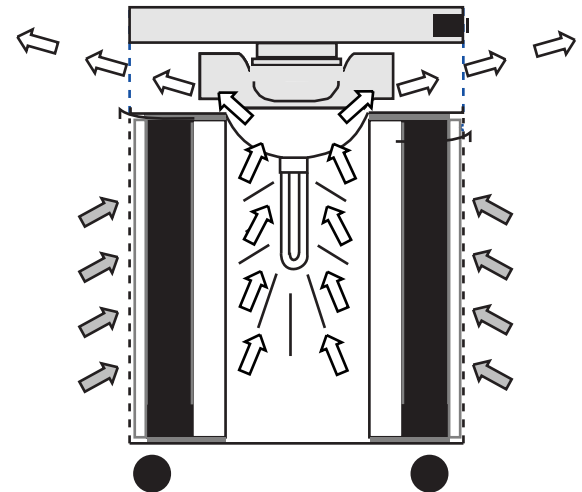
<b>Technical Specifications</b> <b>UV Germicidal Lamp</b> 20 watts. 30,000 $\mu\text{m}$ per sec <sup>2</sup>
<b>Fume / odor / chemical control</b> 18 lbs activated carbon 13" x 13" x 9"
<b>Carbon bed</b> 2" deep x 570 sq" surface
<b>Particle removal</b> 40 sq ft true HEPA (Measured 1 side only) 10 pleats per inch Pleats warm rolled with separators
<b>Air Flow 560 cfm</b> More cfm than any other home unit available
<b>Pre-filter</b> 570 sq in x 1 in deep
<b>Housing</b> Powder coat steel
<b>Size</b> 23" x 15"
<b>Weight</b> 45lbs total
<b>Voltage Options</b> 115 or 220 volts
<b>Watts</b> 120 on high 40 on low
<b>Sound Level</b> 28.1 db on low (at 6 feet) 62.3 db on high (560 cfm) (Room level 25.1 db)
<b>ETL Certified</b> Conforms to CSA C22.2 no 113 ANSI / UL 507
Your <b>Airpura</b> Dealer

### Important Features

- **True HEPA filter** traps 99.97% of particles as small as 0.3 microns including antigens, pathogens and mold spores. 40 sq ft filtration surface
- **Superior quality HEPA filter** 10 pleats per inch (others have only 6-8) with separators to avoid sticking together, warm rolled to avoid cracking results in more effective filtration
- **20 Watt UV germicidal lamp** positioned in the filter chamber sterilizes microbes as they are trapped on the filters
- **18 lbs Activated carbon bed.** Adsorbs airborne chemicals and gases like a sponge
- **2 Micro-suppress filters** around the carbon bed suppress any microorganisms
- **Vacuatable pre-filter** Simply vacuum through the mesh or change as necessary. 56 sq in filtration surface.
- **Variable speed motor** lets you choose your ideal level of filtration
- **All metal housing** ensures no plastic vapors are emitted
- **Motor out of the air flow.** Most air purifiers blow the clean air over the motor and pick up new impurities before exhausting it.
- **Felt gaskets** seal the filter chamber. Maximize filtration with no rubber off-gassing found with other filters
- **Pressure seals** on filter chamber ensures all air is filtered Other systems allow dirty air to escape and fail to achieve their promised HEPA rating of 99.97% filtration

### UV that really works

- The lamp is situated in filter chamber so it kills micro-organisms as they are trapped by the filters
- Other UV machines place the UV lamp in the air flow away from the filters. Microbes can escape back into the air.
- 20 watt UV lamp. 30,000  $\mu\text{m}$  per sec<sup>2</sup> provides the dose needed to kill antigens, pathogens and mold spores
- Lamp may be switched on or off as desired. Warning lamp indicates status.



#### True HEPA Filters

Developed by the atomic energy commission to filter radioactive particles as small as 0.3 microns

#### Activated Carbon

Used in water filtration and in military gas masks, it can adsorb 60% of its own weight of airborne chemicals

#### UV Lamps

Kill antigens and pathogens by destroying their DNA

**Remove microbes, chemicals and particles from your indoor air**